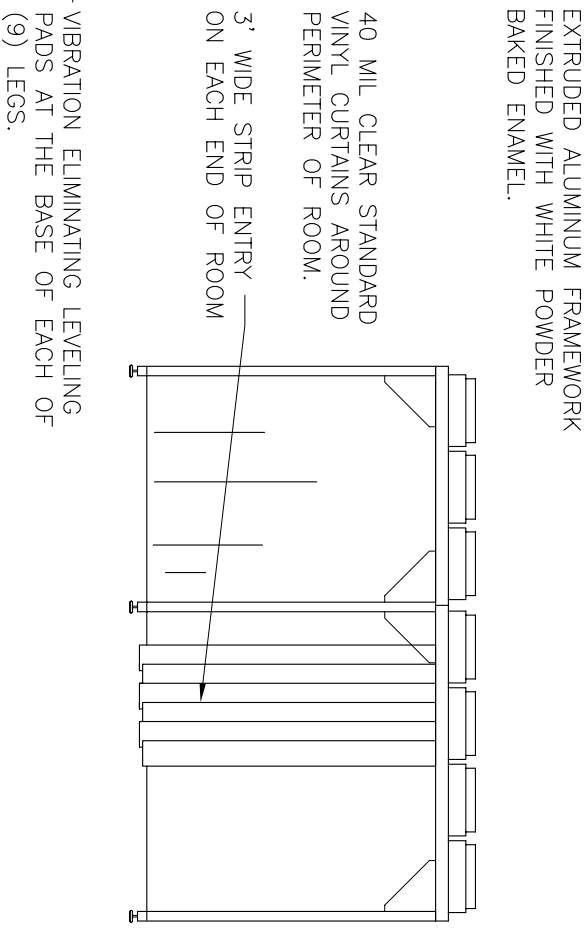
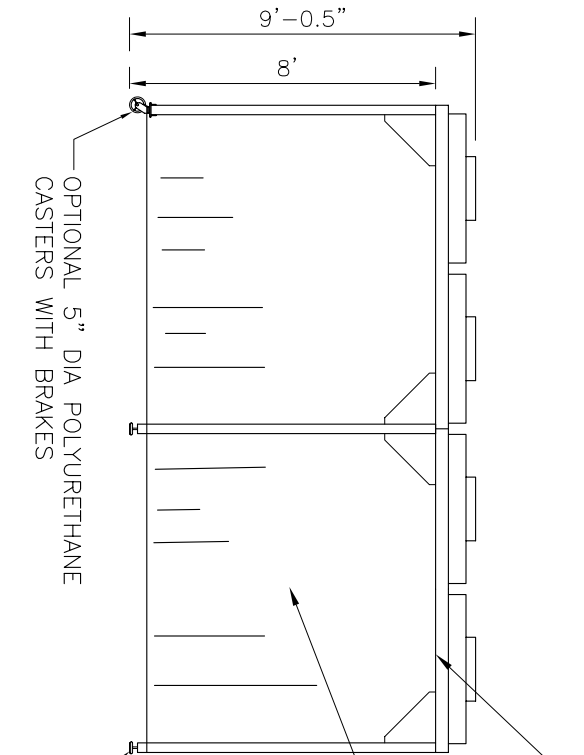


	421-SPX MOTORIZED HEPA FILTER MODULE. VOLTAGE 120/1/60. PROVIDED WITH 3 SPEED SWITCH AND 8' POWER CORD. (14) PROVIDED AS SHOWN.
	2'X4' LAY-IN LIGHT FIXTURE. VOLTAGE 120/1/60. (5) PROVIDED WITH TUBES INSTALLED.
	2'X4' BLANK PANELS. VINYL COVERED GYPSUM WITH ALL EDGES SEALED.
	CROSS TEES @ 24" ON CENTER.



EXTRUDED ALUMINUM FRAMEWORK FINISHED WITH WHITE POWDER BAKED ENAMEL.

40 MIL CLEAR STANDARD VINYL CURTAINS AROUND PERIMETER OF ROOM.

3' WIDE STRIP ENTRY ON EACH END OF ROOM

VIBRATION ELIMINATING LEVELING PADS AT THE BASE OF EACH OF (9) LEGS.

OPTIONAL 5" DIA POLYURETHANE CASTERS WITH BRAKES

© 2003 Technical Air Products, Inc. Unauthorized use is prohibited without express written permission from owner.

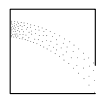
DRAWING DESCRIPTION:

14'X16' CLASS 100 (AT REST) SOFTWALL CLEANROOM

FILE:  
14X16CL100AR

8069 Belmont Avenue  
Belmont, MI 49306  
616 - 863 - 9115  
800 - 595 - 0020  
Fax 616 - 863 - 9127

**TECHNICAL AIR PRODUCTS**  
Designers and Builders of High Efficiency Air Filtration Equipment



SCALE:  
DATE: 7/7/03  
DRAWN BY: DZJ  
REVISION: