

8069 Belmont Avenue
Belmont, MI 49306
616 - 863 - 9115
800 - 595 - 0020
Fax 616 - 863 - 9127



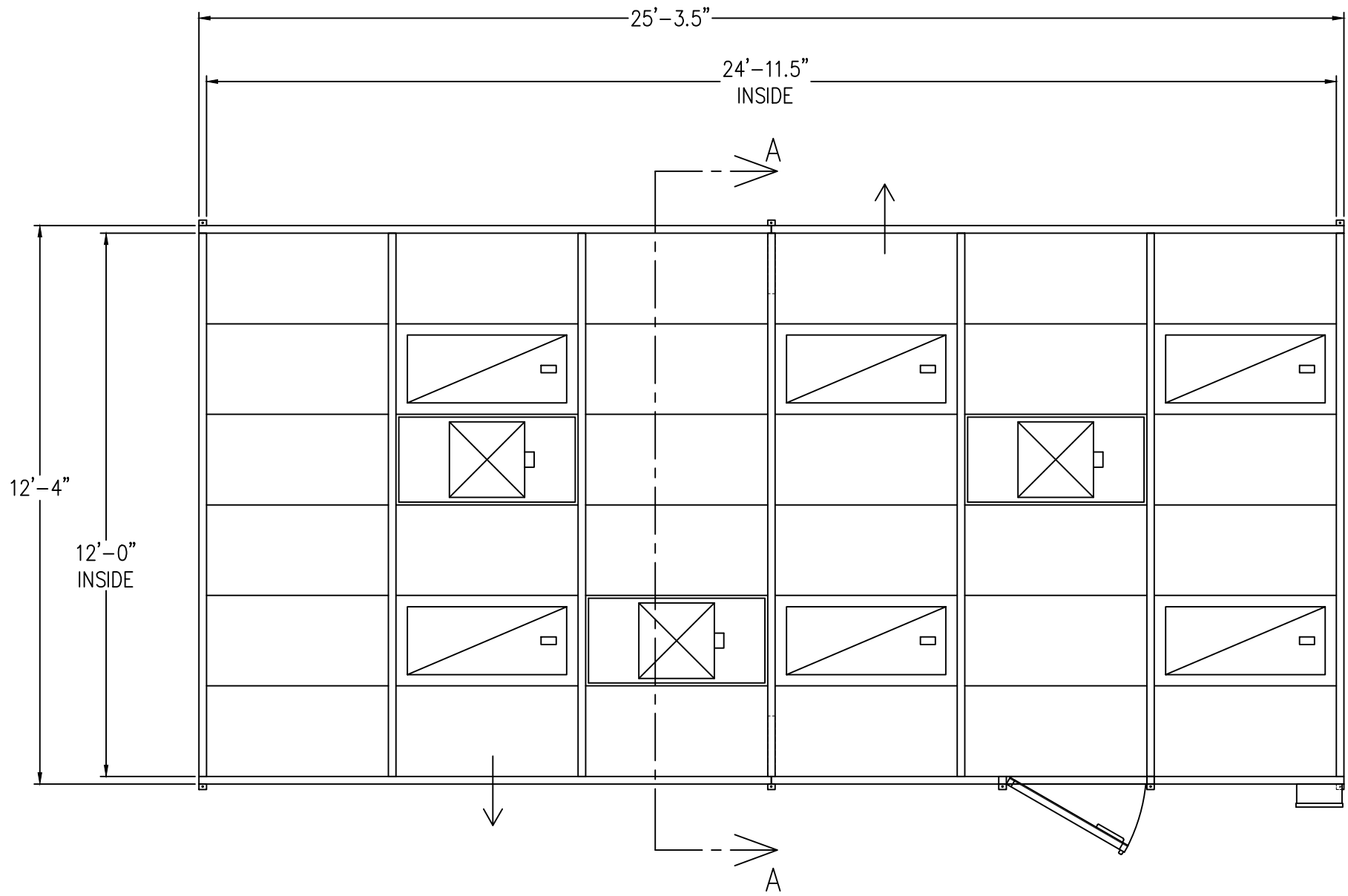
SCALE:
NONE

DATE:
07/17/2025

DRAWN BY:
MMH

REVISION:
-

SHEET:
1 OF 1



REVIEWED & APPROVED FOR FABRICATION
(INCLUDING INCOMING ELECTRICAL REQUIREMENTS)

APPROVED FOR FABRICATION
WITH NOTED CHANGES
(INCOMING ELECTRICAL REQUIREMENTS REVIEWED)

CHANGES NOTED
PLEASE RESUBMIT

SIGNED _____

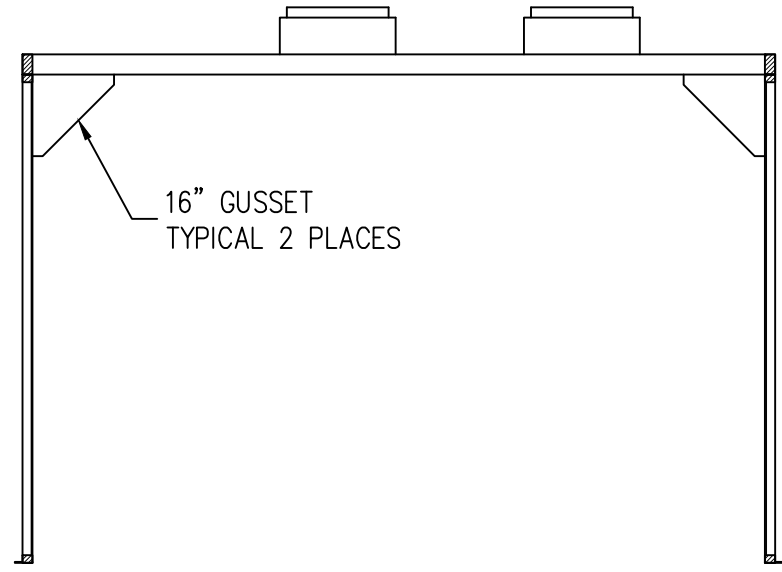
DATE _____

421-SPXEE MOTORIZED HEPA FILTER
MODULE. VOLTAGE 120/1/60.
PREWIRED TO POST-MOUNTED
CONTROL PANEL.
(3) PROVIDED AS SHOWN.

2'X4' LED PANEL LIGHT FIXTURE.
UNIV. VOLTAGE: 120-277V. 56W,
6300 LUMENS, 4000K.
PREWIRED TO POST-MOUNTED
CONTROL PANEL.
(6) PROVIDED AS SHOWN.

2'X4' BLANK PANELS. VINYL
COVERED GYPSUM WITH ALL EDGES
SEALED.

CROSS TEES @ 24" ON CENTER.

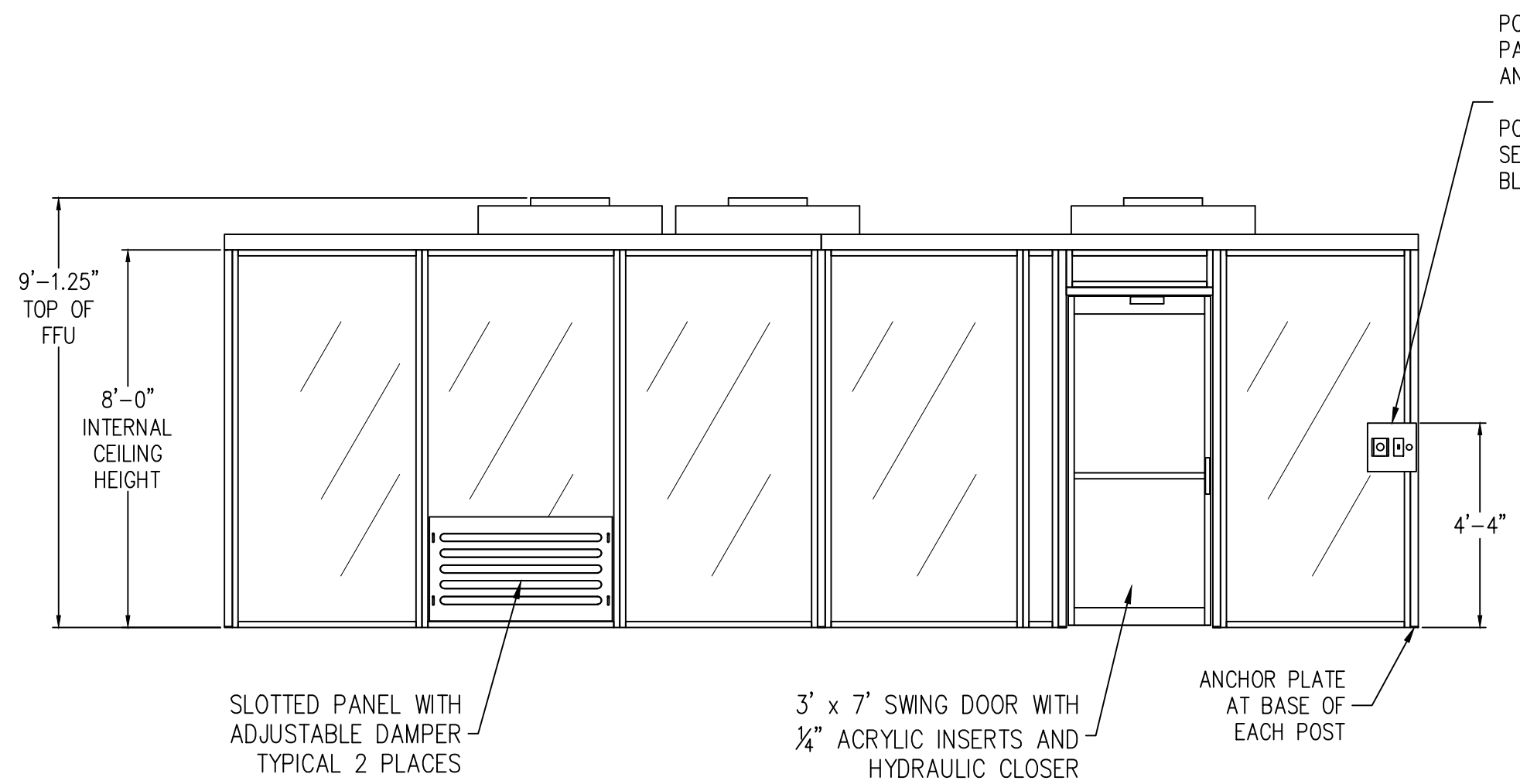


SECTION A-A

INCOMING ELECTRICAL
REQUIREMENTS

15 AMPS @ 120/1/60

FIELD CONNECTIONS ARE
MADE AT CONTROL PANEL.
SEE BELOW FOR LOCATION.



POST-MOUNTED CONTROL
PANEL WITH SPEED CONTROL
AND LIGHT SWITCH

POWER REQUIREMENTS:
SEE ELECTRICAL REQUIREMENTS
BLOCK FOR DETAILS

