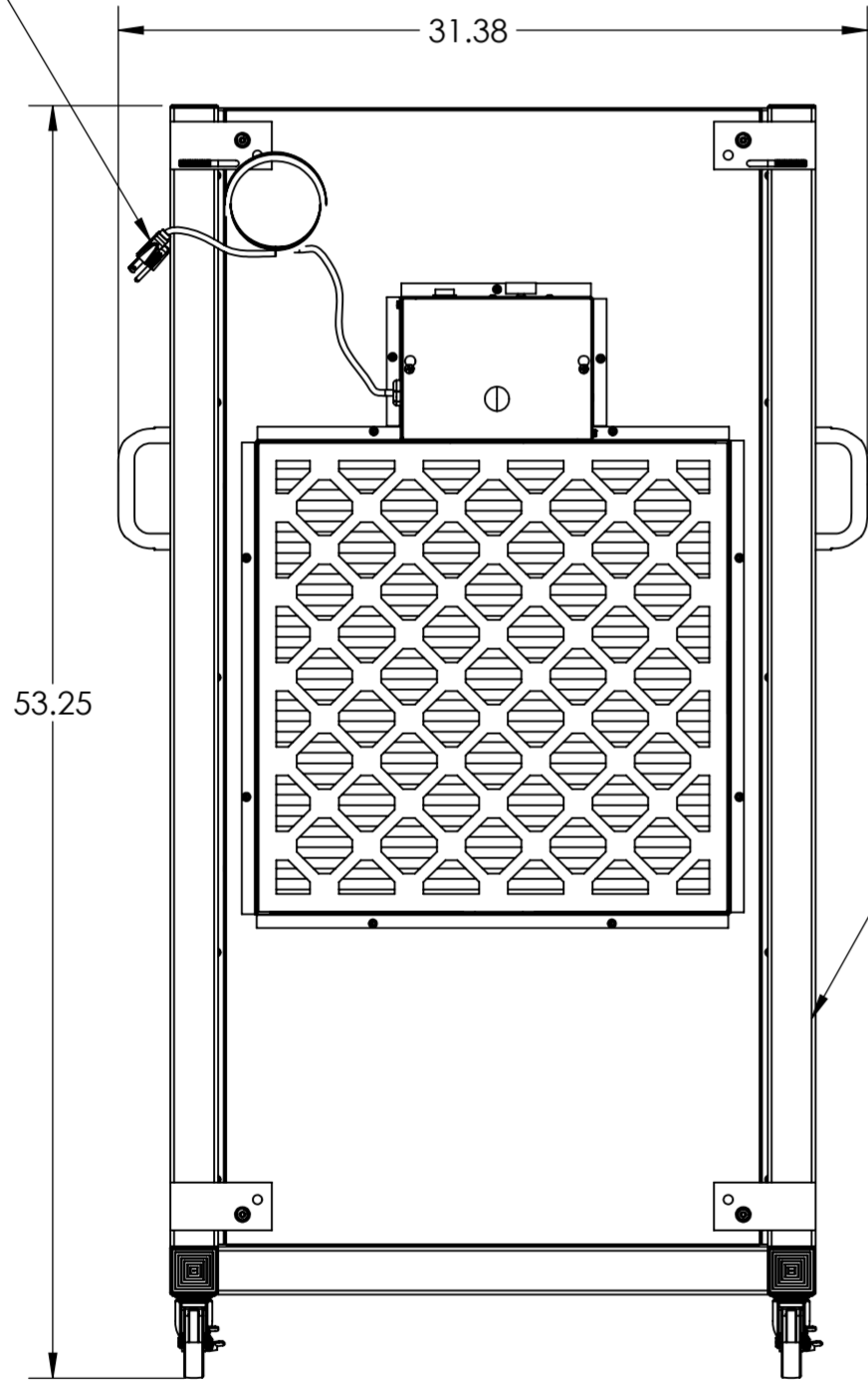


CONTROLS FOR FAN FILTER UNIT

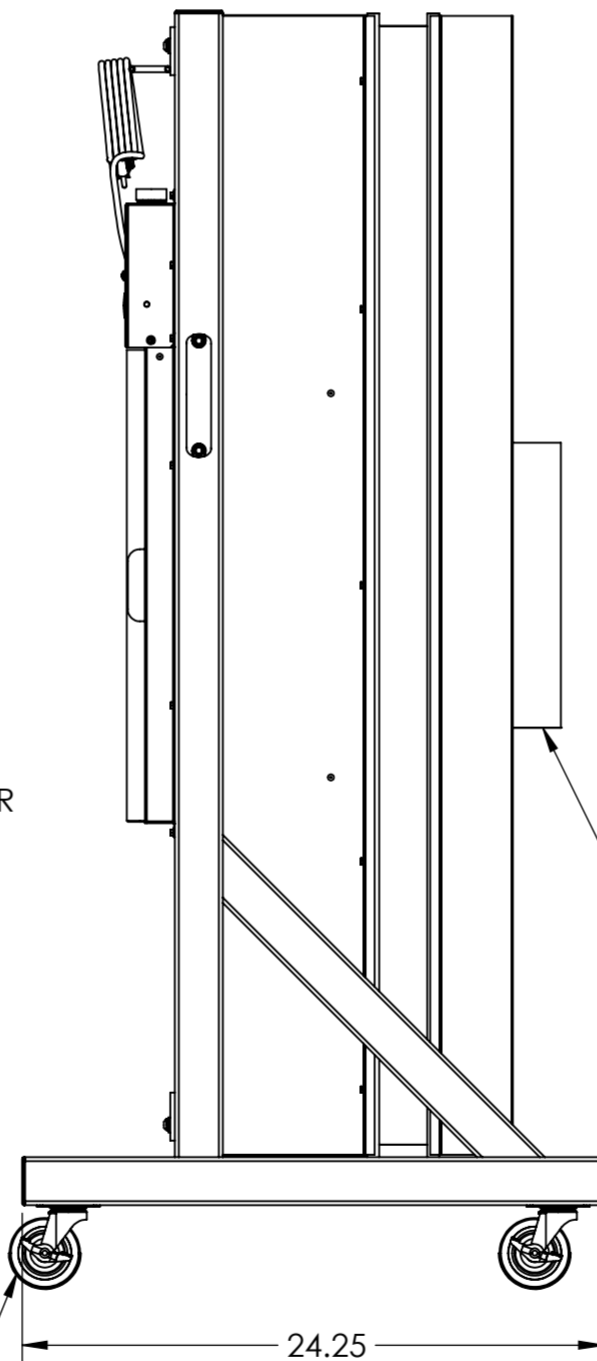
8' POWER CORD WITH NEMA 5-15P PLUG END



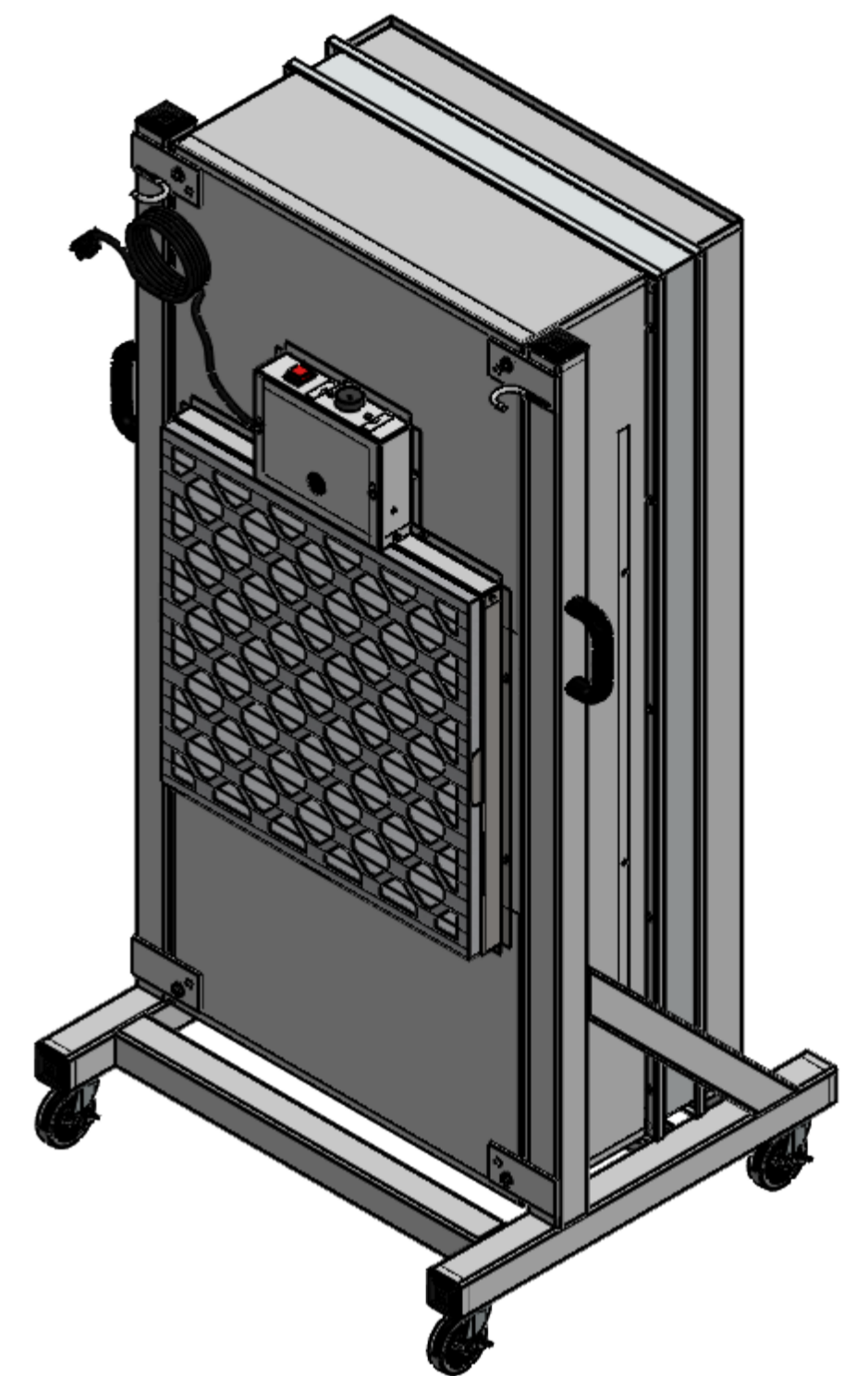
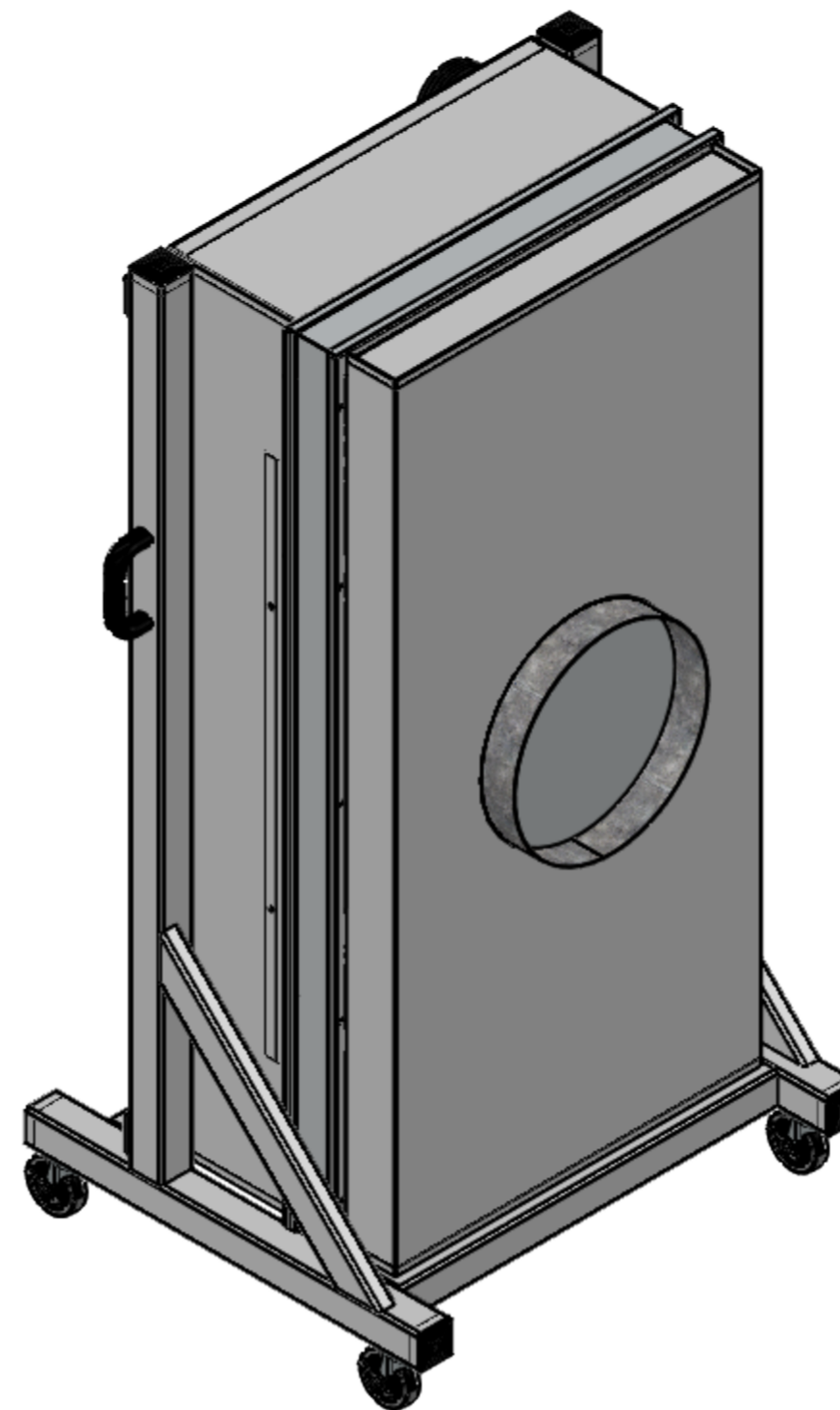
HANDLES TO AID IN MOBILITY

WELDED STEEL FRAME FINISHED WITH POWDER COAT WHITE ENAMEL

(4) CASTERS WITH Ø3" POLYPROYLENE CASTER AND SWIVEL WITH BRAKE



DUCT COLLAR ADAPTER Ø10", Ø12" or Ø14" AVAILABLE



FAN FILTER UNIT SPECIFICATIONS:

- WHITE POWDER-COATED 20ga STEEL ASSEMBLY
- HEPA FILTER - 99.99% MIN. EFFICIENCY @ 0.3 MICRON
- 120 VOLT 1.4 AMP HIGH EFFICIENCY BACKWARD-CURVED IMPELLER



Technical Air Products

Find your clean space.

****Copyright 2018
Technical Air Products,
Inc. Any unauthorized use
without permission from
owner is prohibited****

DESIGNER
ADK
DRAW DATE
OLD PART NUMBER
N/A

PART NUMBER:
421-MF
DESCRIPTION
**MOBILE EXHAUST CART,
421-SPXEE**

REVISION
0