


APPROVED FOR FABRICATION

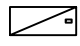
APPROVED FOR FABRICATION WITH NOTED CHANGES

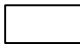
CHANGES NOTED PLEASE RESUBMIT

SIGNED _____

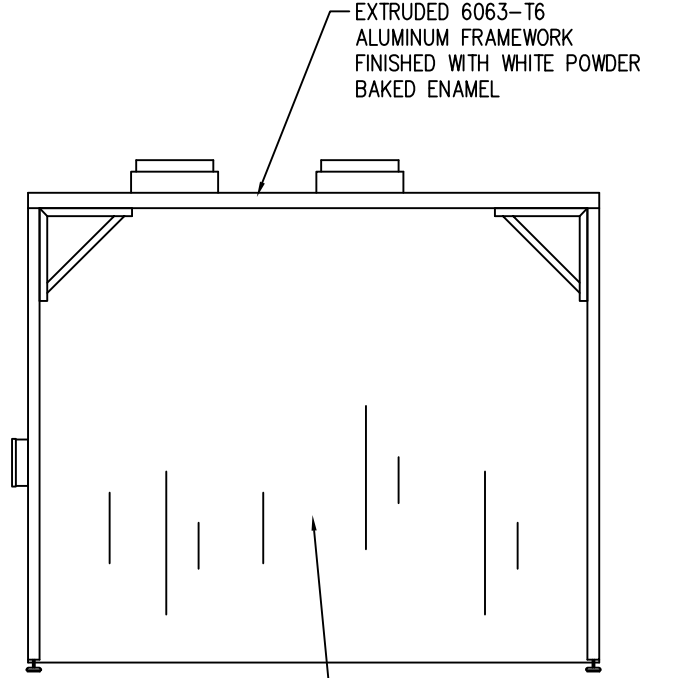
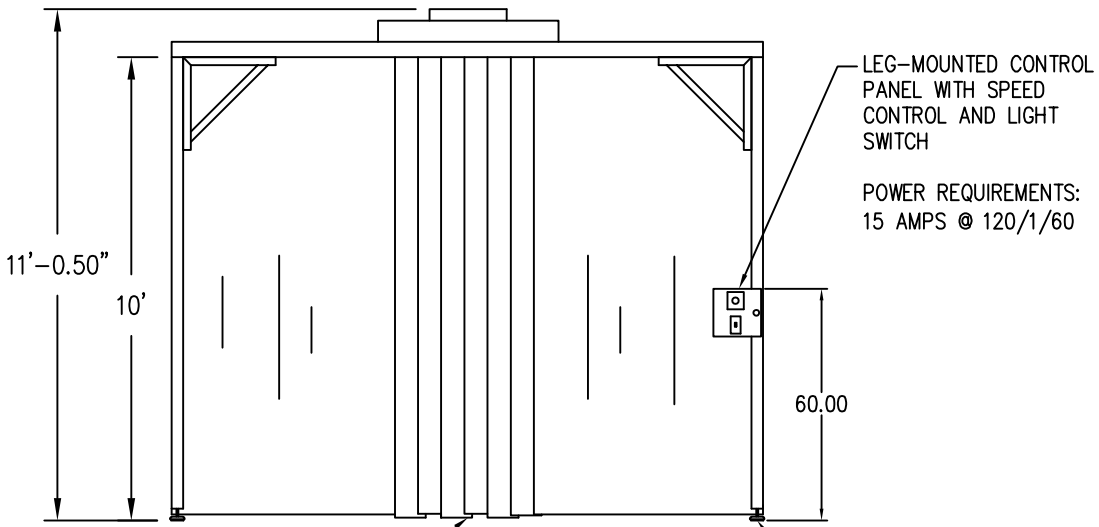
DATE _____

 421-SPX MOTORIZED HEPA FILTER MODULE. VOLTAGE 120/1/60. PREWIRED TO LEG MOUNTED CONTROL PANEL. (2) PROVIDED AS SHOWN. * ENERGY SAVING OPTION AVAILABLE

 2'X4' LED PANEL LIGHT FIXTURE. UNIV. VOLTAGE: 120-277V. 40W, 4440 LUMENS, 3500K. PREWIRED TO LEG-MOUNTED CONTROL PANEL. (3) PROVIDED AS SHOWN.

 2'X4' BLANK PANELS. VINYL COVERED GYPSUM WITH ALL EDGES SEALED.

— CROSS TEES @ 24" ON CENTER.



3' WIDE STRIP ENTRY
8" WIDE x 80 MIL STRIPS
WITH 2" OVERLAP

LEG-MOUNTED CONTROL
PANEL WITH SPEED
CONTROL AND LIGHT
SWITCH

POWER REQUIREMENTS:
15 AMPS @ 120/1/60

ADJUSTABLE LEVELING PAD
AT BASE OF EACH OF THE
(4) LEGS

EXTRUDED 6063-T6
ALUMINUM FRAMEWORK
FINISHED WITH WHITE POWDER
BAKED ENAMEL

40 MIL CLEAR STANDARD VINYL
CURTAINS AROUND PERIMETER OF
ROOM WITH 6" OVERLAP BETWEEN
ADJACENT PANELS

* CASTER OPTION AVAILABLE

* ANTI-STATIC OPTION AVAILABLE