
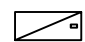
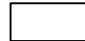


APPROVED FOR FABRICATION  
 APPROVED FOR FABRICATION WITH NOTED CHANGES  
 CHANGES NOTED PLEASE RESUBMIT

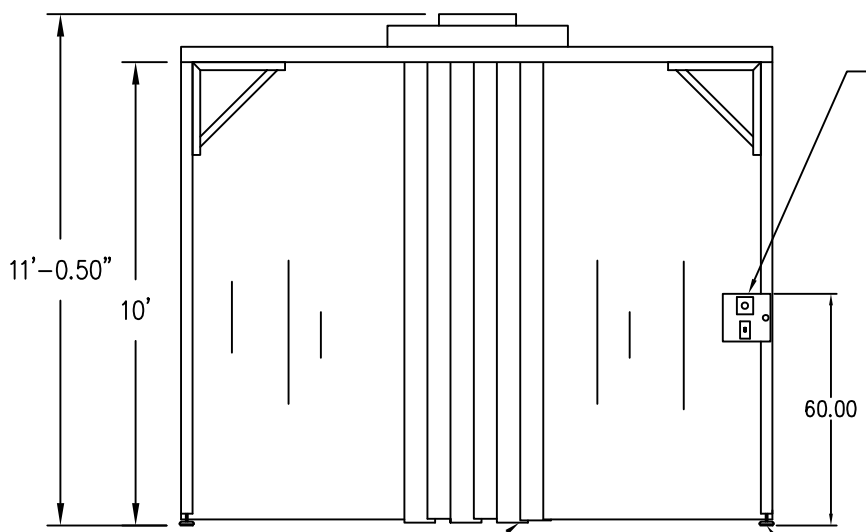
SIGNED \_\_\_\_\_  
 DATE \_\_\_\_\_

 421-SPX MOTORIZED HEPA FILTER MODULE. VOLTAGE 120/1/60. PREWIRED TO LEG MOUNTED CONTROL PANEL. (2) PROVIDED AS SHOWN. \* ENERGY SAVING OPTION AVAILABLE

 2'X4' LED PANEL LIGHT FIXTURE. UNIV. VOLTAGE: 120-277V. 40W, 4440 LUMENS, 3500K. PREWIRED TO LEG-MOUNTED CONTROL PANEL. (3) PROVIDED AS SHOWN.

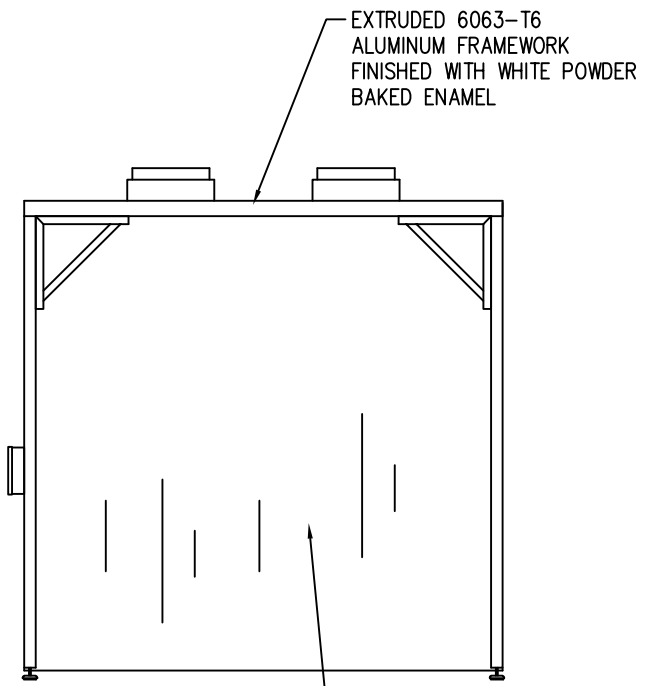
 2'X4' BLANK PANELS. VINYL COVERED GYPSUM WITH ALL EDGES SEALED.

— CROSS TEES @ 24" ON CENTER.



LEG-MOUNTED CONTROL PANEL WITH SPEED CONTROL AND LIGHT SWITCH

POWER REQUIREMENTS:  
 15 AMPS @ 120/1/60



EXTRUDED 6063-T6 ALUMINUM FRAMEWORK FINISHED WITH WHITE POWDER BAKED ENAMEL

40 MIL CLEAR STANDARD VINYL CURTAINS AROUND PERIMETER OF ROOM WITH 6" OVERLAP BETWEEN ADJACENT PANELS

3' WIDE STRIP ENTRY  
 8" WIDE x 80 MIL STRIPS WITH 2" OVERLAP

ADJUSTABLE LEVELING PAD AT BASE OF EACH OF THE (4) LEGS

\* CASTER OPTION AVAILABLE

\* ANTI-STATIC OPTION AVAILABLE