

SCALE:

NONE

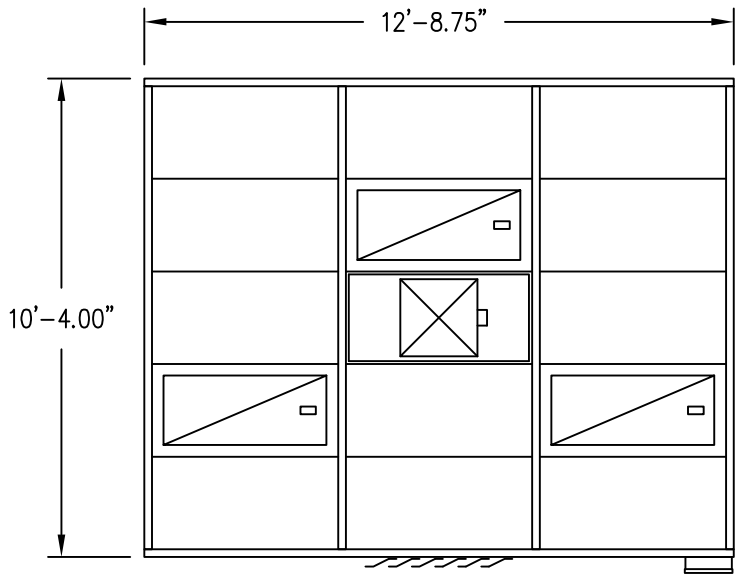
DATE:

10/29/2018

DRAWN BY:

ADK

REVISION:



APPROVED FOR FABRICATION

APPROVED FOR FABRICATION WITH NOTED CHANGES

CHANGES NOTED PLEASE RESUBMIT

SIGNED _____

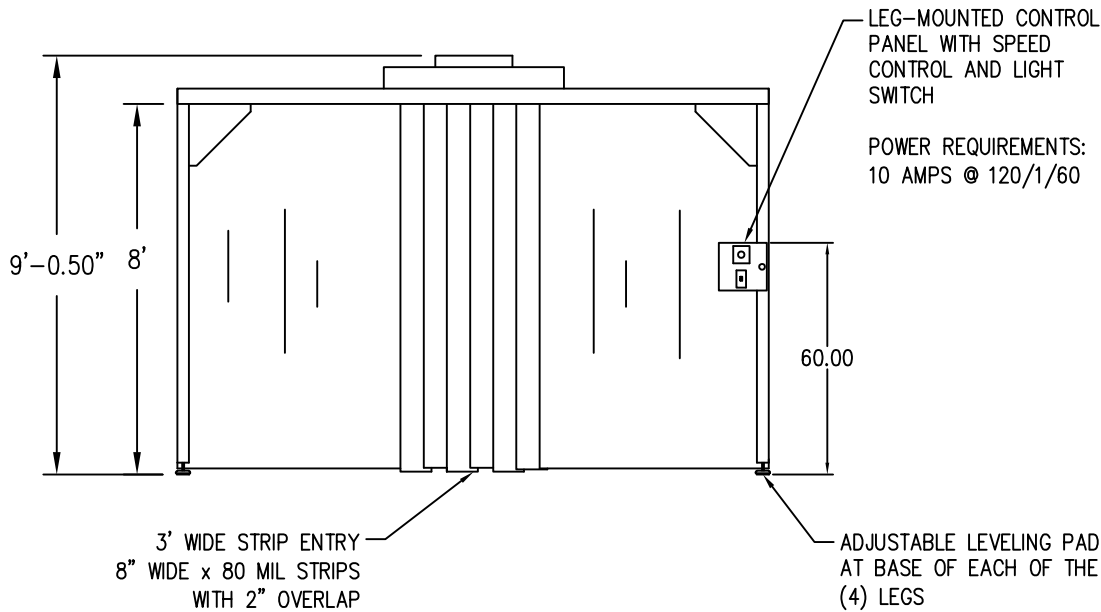
DATE _____

421-SPX MOTORIZED HEPA FILTER MODULE. VOLTAGE 120/1/60. PREWIRED TO LEG MOUNTED CONTROL PANEL. (1) PROVIDED AS SHOWN. * ENERGY SAVING OPTION AVAILABLE

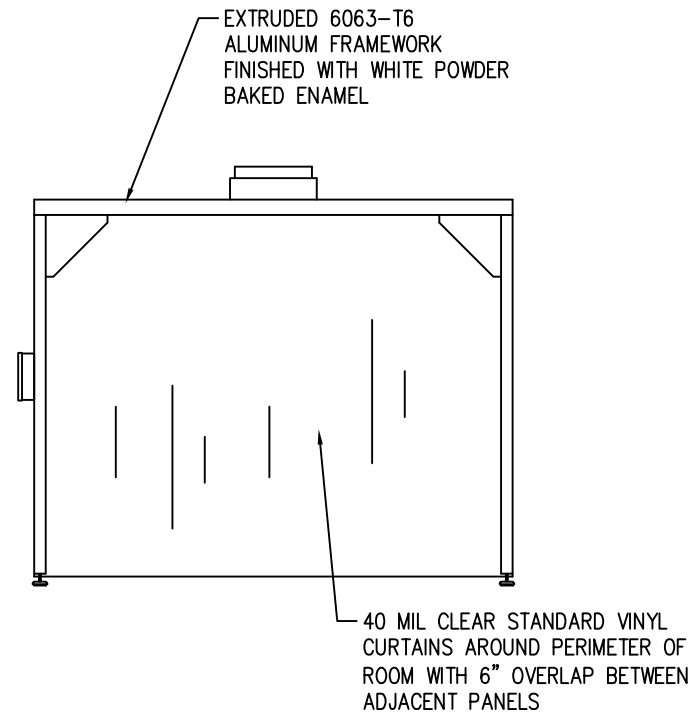
2'X4' LED PANEL LIGHT FIXTURE. UNIV. VOLTAGE: 120-277V. 40W, 4440 LUMENS, 3500K. PREWIRED TO LEG-MOUNTED CONTROL PANEL. (3) PROVIDED AS SHOWN.

2'X4' BLANK PANELS. VINYL COVERED GYPSUM WITH ALL EDGES SEALED.

— CROSS TEES @ 24" ON CENTER.



* CASTER OPTION AVAILABLE



* ANTI-STATIC OPTION AVAILABLE