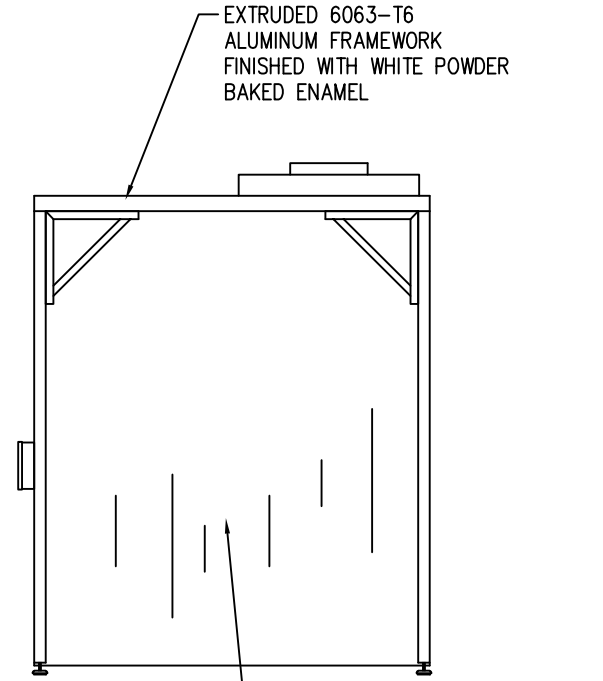
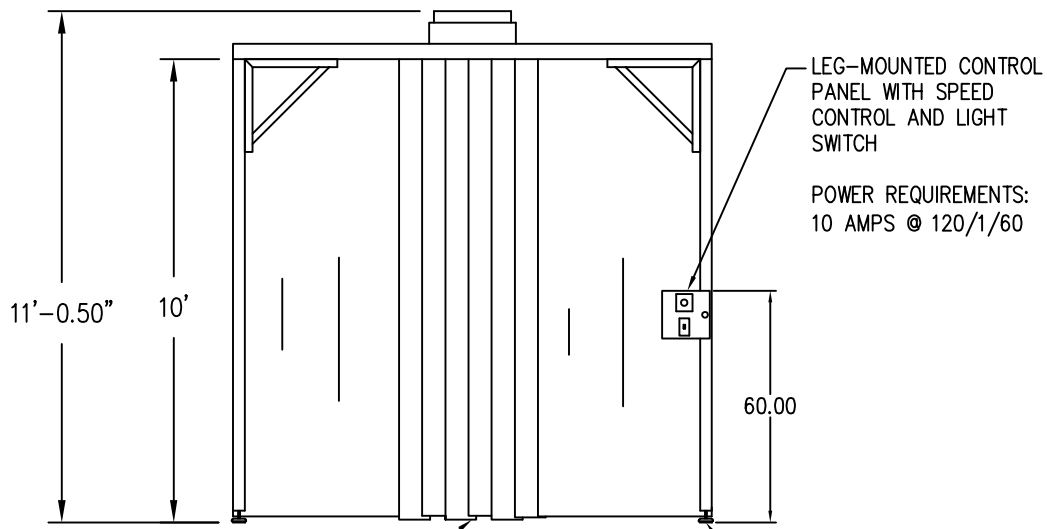
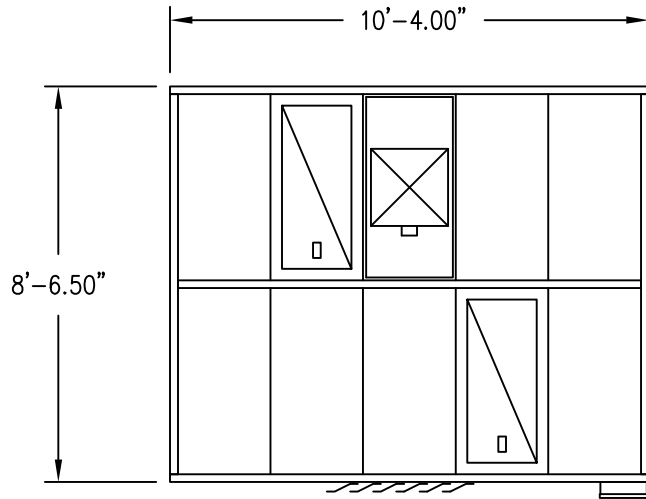


APPROVED FOR FABRICATION
 APPROVED FOR FABRICATION WITH NOTED CHANGES
 CHANGES NOTED PLEASE RESUBMIT
 SIGNED _____
 DATE _____

421-SPX MOTORIZED HEPA FILTER MODULE. VOLTAGE 120/1/60. PREWIRED TO LEG MOUNTED CONTROL PANEL. (1) PROVIDED AS SHOWN. * ENERGY SAVING OPTION AVAILABLE
 2'X4' LED PANEL LIGHT FIXTURE. UNIV. VOLTAGE: 120-277V. 40W, 4440 LUMENS, 3500K. PREWIRED TO LEG-MOUNTED CONTROL PANEL. (2) PROVIDED AS SHOWN.
 2'X4' BLANK PANELS. VINYL COVERED GYPSUM WITH ALL EDGES SEALED.
 _____ CROSS TEES @ 24" ON CENTER.



3' WIDE STRIP ENTRY
 8" WIDE x 80 MIL STRIPS
 WITH 2" OVERLAP

LEG-MOUNTED CONTROL
 PANEL WITH SPEED
 CONTROL AND LIGHT
 SWITCH
 POWER REQUIREMENTS:
 10 AMPS @ 120/1/60

ADJUSTABLE LEVELING PAD
 AT BASE OF EACH OF THE
 (4) LEGS

* CASTER OPTION AVAILABLE

40 MIL CLEAR STANDARD VINYL
 CURTAINS AROUND PERIMETER OF
 ROOM WITH 6" OVERLAP BETWEEN
 ADJACENT PANELS

* ANTI-STATIC OPTION AVAILABLE