
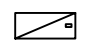
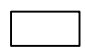

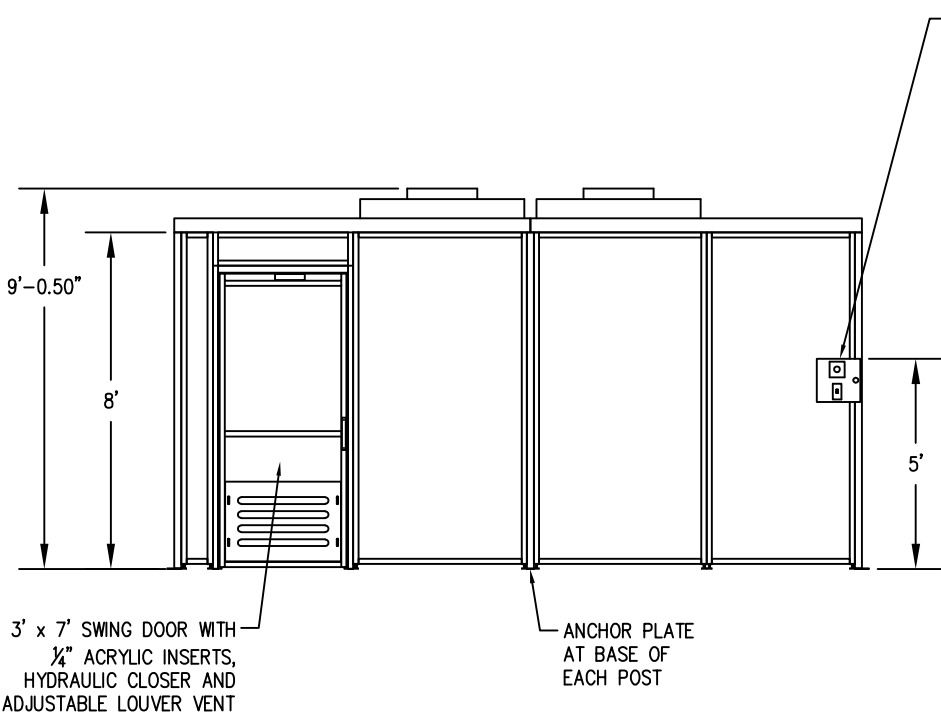


-  421-SPX MOTORIZED HEPA FILTER MODULE. VOLTAGE 120/1/60. PREWIRED TO POST-MOUNTED CONTROL PANEL. (2) PROVIDED AS SHOWN. * ENERGY SAVING OPTION AVAILABLE
-  2'x4' LED PANEL LIGHT FIXTURE. UNIV. VOLTAGE: 120-277V. 40W, 4440 LUMENS, 3500K. PREWIRED TO POST-MOUNTED CONTROL PANEL. (3) PROVIDED AS SHOWN.
-  2'x4' BLANK PANELS. VINYL COVERED GYPSUM WITH ALL EDGES SEALED.
-  CROSS TEES @ 24" ON CENTER.

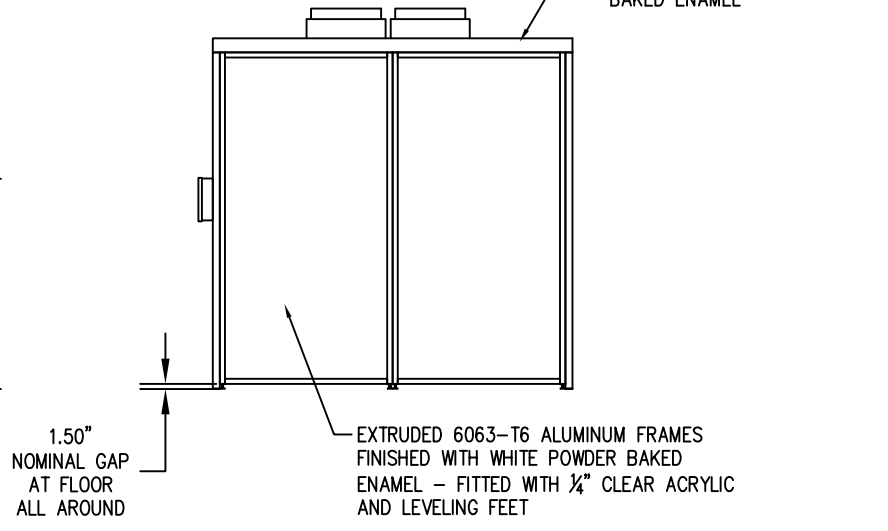
- APPROVED FOR FABRICATION
- APPROVED FOR FABRICATION WITH NOTED CHANGES
- CHANGES NOTED PLEASE RESUBMIT

SIGNED _____
 DATE _____



POST-MOUNTED CONTROL PANEL WITH SPEED CONTROL AND LIGHT SWITCH

POWER REQUIREMENTS:
 15 AMPS @ 120/1/60



* WHITE OPAQUE PANELS ARE ALSO AVAILABLE