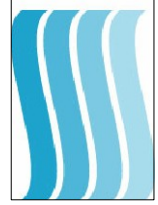


8069 Belmont Avenue  
Belmont, MI 49306  
616 - 863 - 9115  
800 - 595 - 0020  
Fax 616 - 863 - 9127

**Technical Air Products**  
Find your clean space.

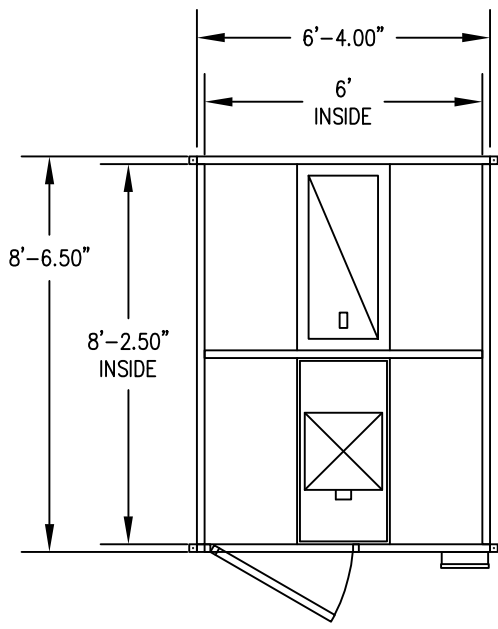


SCALE:  
**NONE**

DATE:  
**11/05/2018**

DRAWN BY:  
**ADK**

REVISION:




APPROVED FOR FABRICATION

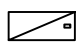
APPROVED FOR FABRICATION WITH NOTED CHANGES

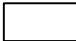
CHANGES NOTED PLEASE RESUBMIT

SIGNED \_\_\_\_\_

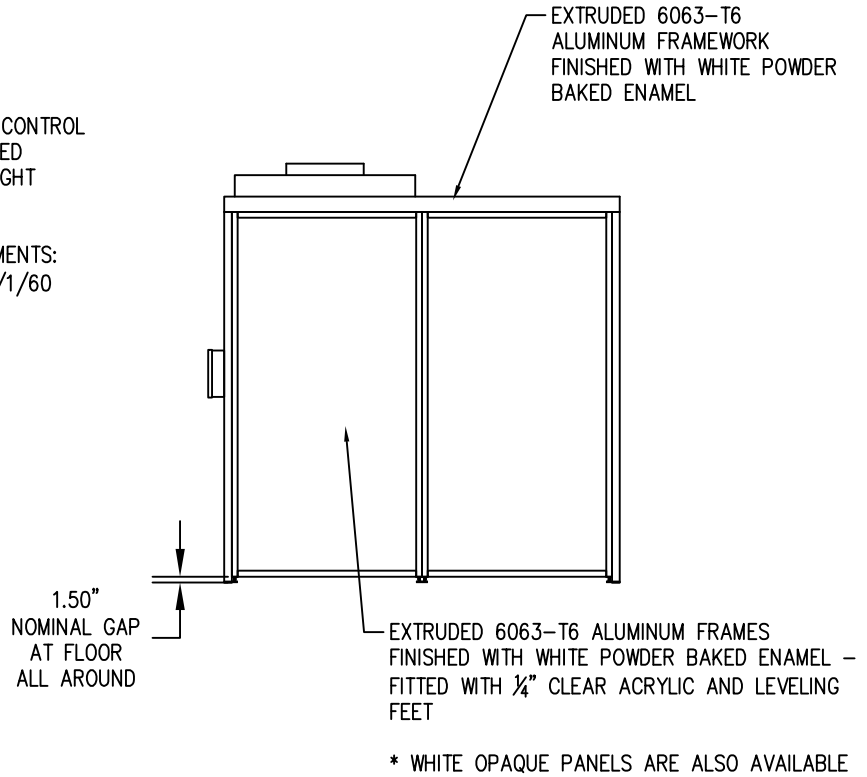
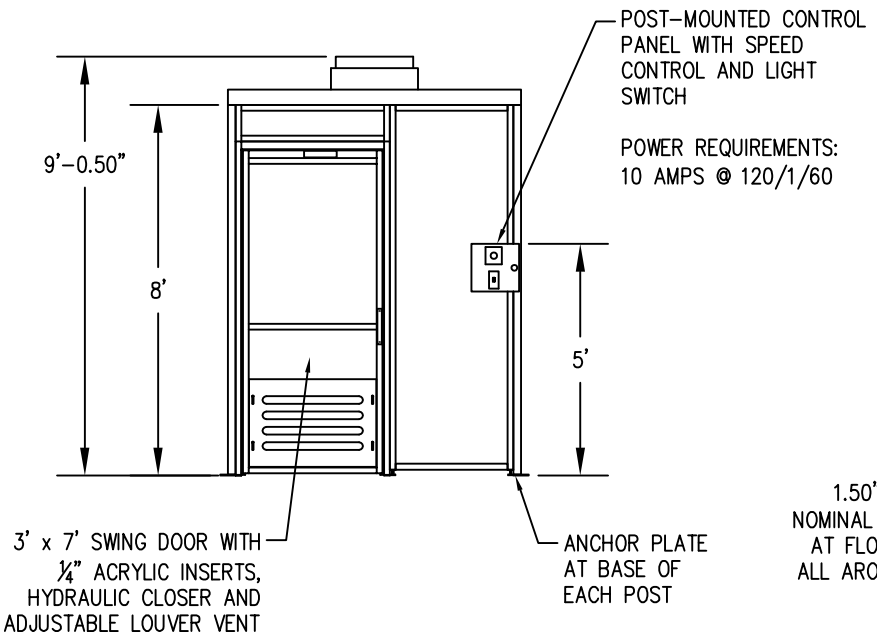
DATE \_\_\_\_\_

 421-SPX MOTORIZED HEPA FILTER MODULE. VOLTAGE 120/1/60. PREWIRED TO POST-MOUNTED CONTROL PANEL. (1) PROVIDED AS SHOWN. \* ENERGY SAVING OPTION AVAILABLE

 2'X4' LED PANEL LIGHT FIXTURE. UNIV. VOLTAGE: 120-277V. 40W, 4440 LUMENS, 3500K. PREWIRED TO POST-MOUNTED CONTROL PANEL. (1) PROVIDED AS SHOWN.

 2'X4' BLANK PANELS. VINYL COVERED GYPSUM WITH ALL EDGES SEALED.

— CROSS TEES @ 24" ON CENTER.



\* WHITE OPAQUE PANELS ARE ALSO AVAILABLE