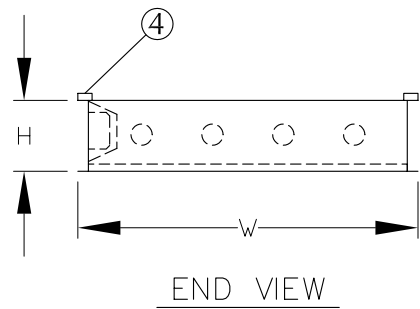
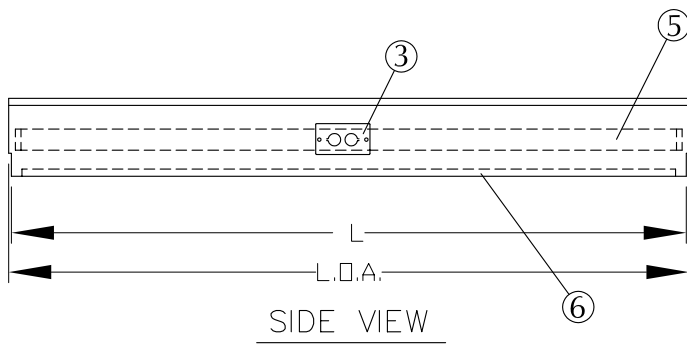


- ① Sheet Metal housing
- ② Ballast
- ③ Wiring Access
- ④ Filter retention flange
- ⑤ Provision for (4) mbp lamps (tubes not included)
- ⑥ Face Grille



NOM. SIZE	DIM 'W'	DIM 'L'	DIM 'LOA'	DIM 'H'
2' x 2'	23.62"	23.62"	24.00"	5"
2' x 3'		35.62"	36.00"	
2' x 4'		47.62"	48.00"	

SPECIFICATIONS FLOW THRU LIGHT FIXTURES

Housing construction:

- Powder coated 20ga steel
- Stainless Steel, 304 or 316
- Aluminum

Lamp Type

- (3) T5
- (4) T5
- (3) T8
- (4) T8

Face Grille

- Acrylic Eggcrate in extruded vinyl frame
- Aluminum eggcrate in extruded aluminum frame
- Stainless Steel eggcrate in formed stainless frame

Ballast Voltage

- Universal (120-277VAC)

● Indicates standard

