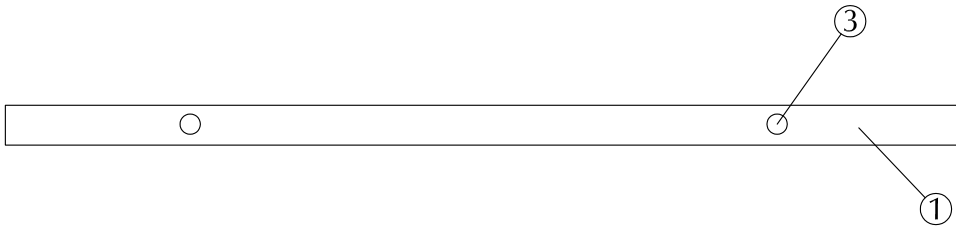
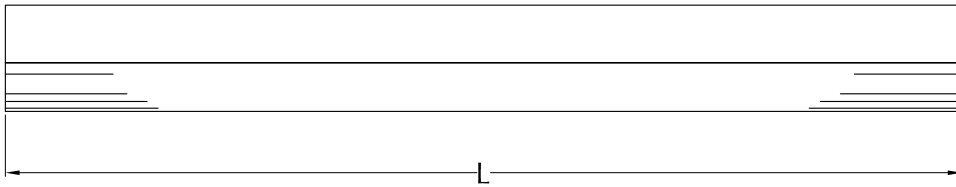


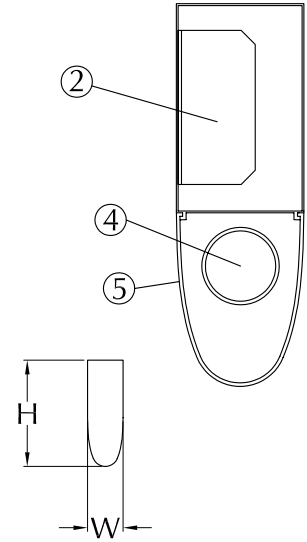
- ① Sheet metal housing
- ② Ballast
- ③ Wiring Access
- ④ Provision for (1) mbp lamp (tube included)
- ⑤ Acrylic lense



TOP VIEW



SIDE VIEW



END VIEW

NOM. SIZE	DIM 'L'	DIM 'W'	DIM 'H'
2'	24"	2"	6"
3'	36"	2"	



SPECIFICATIONS TEARDROP STRIP LIGHT FIXTURES

Housing construction:

- Steel with white baked enamel finish

Stainless Steel - 304 or 316

Lense

- Clear Prismatic teardrop style
Prisms to inside for smooth exterior finish

Lamp Type

- (1) F32-T8

Ballast Voltage

- Universal (120-277VAC)

● Indicates standard

© 2010 Technical Air Products, Inc. Unauthorized use is prohibited without express written permission from owner.



TECHNICAL AIR PRODUCTS

Designers and Builders of High Efficiency Air Filtration Equipment

8069 Belmont Avenue
Belmont, MI 49306
616 - 863 - 9115
800 - 595 - 0020
Fax 616 - 863 - 9127