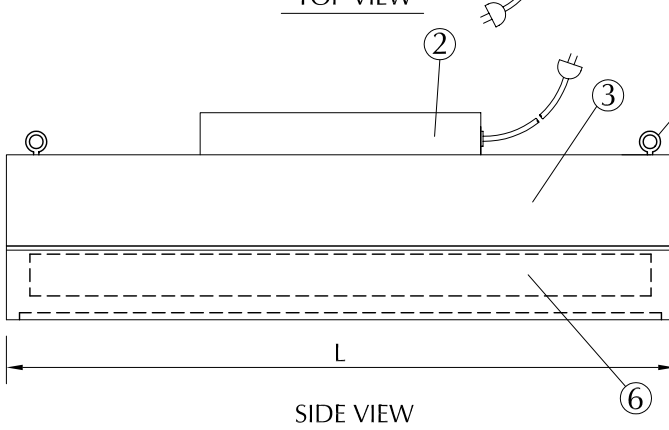
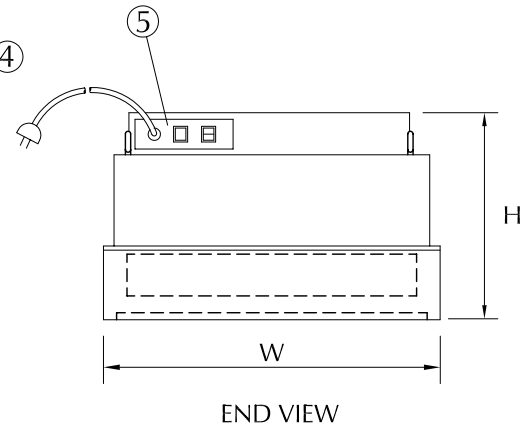


- ① Prefilter
- ② Prefilter frame
- ③ Supply Plenum
- ④ Eyebolts for hanging
- ⑤ Controls
- ⑥ Final Filter (roomside replaceable)

TOP VIEW



SIDE VIEW



END VIEW

MODEL	UNIT SIZE	DIM 'W'	DIM 'L'	DIM 'H' STD	DIM 'H' ECM	DIM 'H' VFD
222-SPX	2' x 2'	23.62"	23.62"	15"	17"	18"
322-SPX	2' x 3'		35.62"			
422-SPX	2' x 4'		47.62"			

## SPECIFICATIONS RSR SPX MODELS

### Housing:

- Powder coated 20ga steel
- Stainless Steel, 304 or 316
- Aluminum

### Filters:

- 99.99% HEPA
- 99.9995% ULPA
- PTFE

### Filter Seal

- Closed cell gasket
- Urethane Gel
- Silicone Gel

### Controls:

- 3-Speed switch with separate on/off
- Power cord - 8' with plug end
- None (motor leads wired to j-box)
- Variable Speed Control

### Motor:

	VOLTAGE	FLA
● PSC TYPE	120/1/60	4.7
	220/1/60	2.4
	277/1/60	1.8
ECM	120/1/60	4.2
	220/1/60	2.1
Low Watt	120/1/60	1.2
	220/1/60	0.6
High RPM	120/1/60	7.4
	220/1/60	3.7
VFD Rated	240-480/3/60	1.2/0.6

### Inlet Options

30% eff ASHRAE prefilter

- 1" thick
- 2" thick
- 4" thick

### Carbon filter

1" thick

### Inlet collar adapter

- 10" diameter
- 12" diameter
- 14" diameter

### Face Grille

- Polystyrene eggcrate
- Perforated steel, powder coated
- Perforated stainless steel

● Indicates standard

