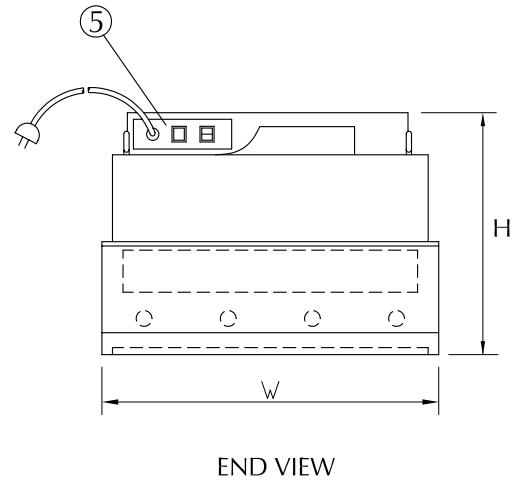
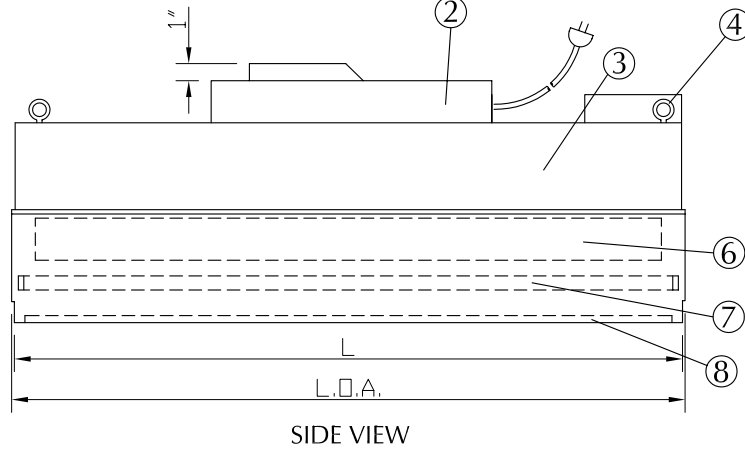


- ① Prefilter
- ② Prefilter frame
- ③ Supply Plenum
- ④ Eyebolts for hanging
- ⑤ Controls
- ⑥ Final Filter (roomside replaceable)
- ⑦ Lamp Tubes
- ⑧ Face Grille



MODEL	UNIT SIZE	DIM 'W'	DIM 'L'	DIM 'LOA'	DIM 'H' STD	DIM 'H' ECM	DIM 'H' VFD
223-SPX	2' x 2'	23.62"	23.62"	24.00"	17.5"	19.5"	20.5"
323-SPX	2' x 3'		35.62"	36.00"			
423-SPX	2' x 4'		47.62"	48.00"			

## SPECIFICATIONS LIGHTED RSR SPX MODELS

### Housing:

- Powder coated 20ga steel
- Stainless Steel, 304 or 316
- Aluminum

### Filters:

- 99.99% HEPA
- 99.9995% ULPA
- PTFE

### Filter Seal

- Closed cell gasket
- Urethane Gel
- Silicone Gel

### Controls:

- 3-Speed switch with separate on/off
- Power cord - 8' with plug end
- None (motor leads wired to j-box)
- Variable Speed Control

### Motor:

	VOLTAGE	FLA
● PSC TYPE	120/1/60	4.7
	220/1/60	2.4
	277/1/60	1.8
ECM	120/1/60	4.2
	220/1/60	2.1
Low Watt	120/1/60	1.2
	220/1/60	0.6
High RPM	120/1/60	7.4
	220/1/60	3.7
VFD Rated	240-480/3/60	1.2/0.6

### Lamp Type

- (3) T5
- (4) T5
- (3) T8
- (4) T8

### Inlet Options

30% eff ASHRAE prefilter

- 1" thick
- 2" thick
- 4" thick

### Carbon filter

1" thick

### Inlet collar adapter

10" diameter  
12" diameter  
14" diameter

### Face Grille

- Acrylic Eggcrate in extruded vinyl frame
- Aluminum eggcrate in extruded aluminum frame

### Ballast Voltage

- Universal (120-277VAC)

● Indicates standard

© 2010 Technical Air Products, Inc. Unauthorized use is prohibited without express written permission from owner.



**TECHNICAL AIR PRODUCTS**

Designers and Builders of High Efficiency Air Filtration Equipment

8069 Belmont Avenue

Belmont, MI 49306

616 - 863 - 9115

800 - 595 - 0020

Fax 616 - 863 - 9127