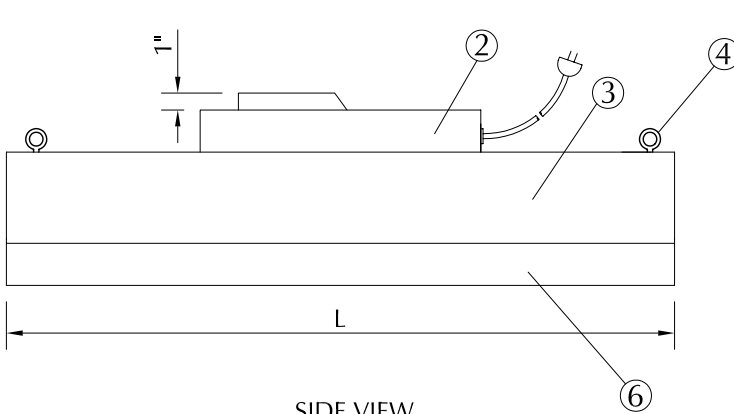


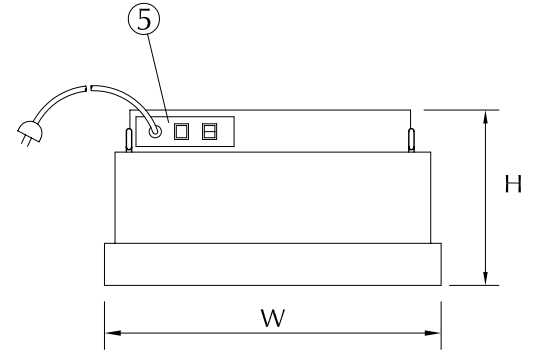
- ① Prefilter
- ② Prefilter frame
- ③ Supply Plenum
- ④ Eyebolts for hanging
- ⑤ Controls
- ⑥ Final Filter

Optional inlet collar adapter

TOP VIEW



SIDE VIEW



END VIEW

MODEL	UNIT SIZE	DIM 'W'	DIM 'L'	DIM 'H' STD	DIM 'H' ECM	DIM 'H' VFD
221-SPX	2' x 2'	23.62"	23.62"	12.5"	14.5"	15.5"
321-SPX	2' x 3'		35.62"			
421-SPX	2' x 4'		47.62"			

SPECIFICATIONS FOR SPX MODELS

Housing construction:

- Powder coated 20ga steel
- Stainless Steel, 304 or 316
- Aluminum

Filters:

- 99.99% HEPA
- 99.9995% ULPA
- PTFE

Controls:

- 3-Speed switch with separate on/off
- Power cord - 8' with plug end
- None (motor leads wired to j-box)
- Variable Speed Control

Motor:

- PSC TYPE

ECM

Low Watt

High RPM

VFD Rated

VOLTAGE

120/1/60
220/1/60
277/1/60

120/1/60
220/1/60

120/1/60
220/1/60

120/1/60
220/1/60

240-480/3/60

FLA

4.7
2.2
1.9

5.0
2.8

2.1
1.0

7.6
2.8

1.2/0.6

Inlet Options

30% eff ASHRAE prefilter

- 1" thick
- 2" thick
- 4" thick

Carbon filter

1" thick

Inlet collar adapter

10" diameter
12" diameter
14" diameter

● Indicates standard

© 2010 Technical Air Products, Inc. Unauthorized use is prohibited without express written permission from owner.



TECHNICAL AIR PRODUCTS
Designers and Builders of High Efficiency Air Filtration Equipment

8069 Belmont Avenue
Belmont, MI 49306
616 - 863 - 9115
800 - 595 - 0020
Fax 616 - 863 - 9127