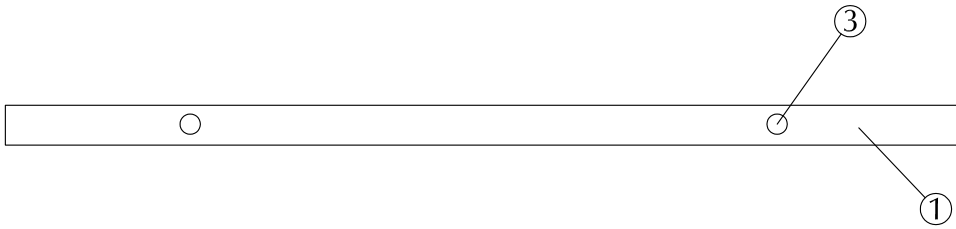
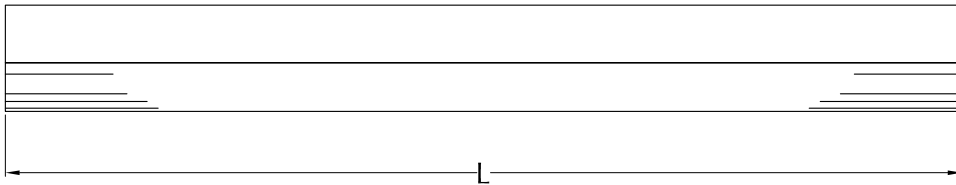


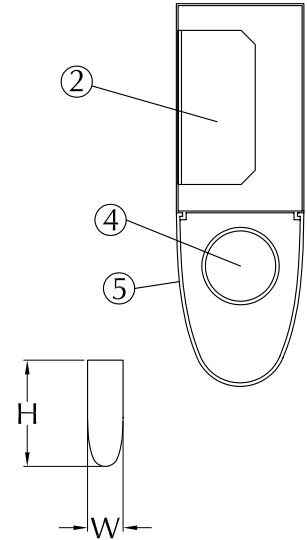
- ① Sheet metal housing
- ② Ballast
- ③ Wiring Access
- ④ Provision for (1) mbp lamp (tube included)
- ⑤ Acrylic lens



TOP VIEW



SIDE VIEW



END VIEW

NOM. SIZE	DIM 'L'	DIM 'W'	DIM 'H'
2'	24"	2"	6"
3'	36"	2"	



SPECIFICATIONS TEARDROP STRIP LIGHT FIXTURES

Housing construction:

- Steel with white baked enamel finish

Stainless Steel - 304 or 316

Lense

- Clear Prismatic teardrop style
Prisms to inside for smooth exterior finish

Lamp Type

- (1) F32-T8

Ballast Voltage

- Universal (120-277VAC)

● Indicates standard

