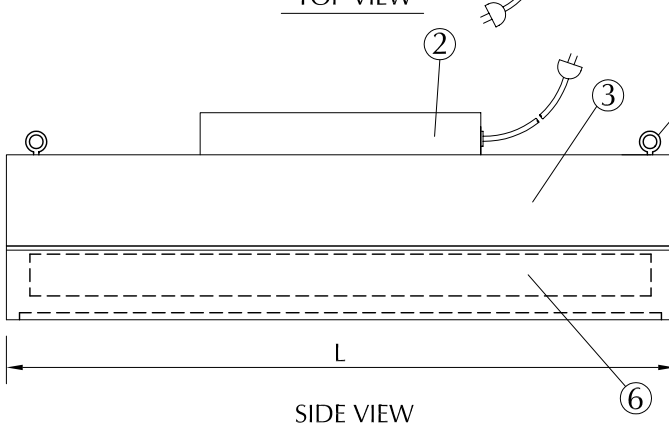
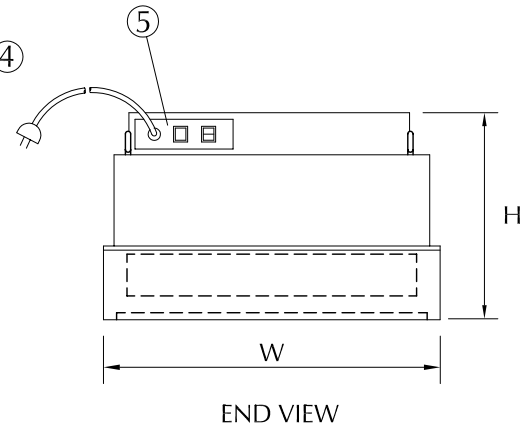


- ① Prefilter
- ② Prefilter frame
- ③ Supply Plenum
- ④ Eyebolts for hanging
- ⑤ Controls
- ⑥ Final Filter (roomside replaceable)

TOP VIEW



SIDE VIEW



END VIEW

MODEL	UNIT SIZE	DIM 'W'	DIM 'L'	DIM 'H' STD	DIM 'H' ECM	DIM 'H' VFD
222-SPX	2' x 2'	23.62"	23.62"	15"	17"	18"
322-SPX	2' x 3'		35.62"			
422-SPX	2' x 4'		47.62"			

SPECIFICATIONS RSR SPX MODELS

Housing:

- Powder coated 20ga steel
- Stainless Steel, 304 or 316
- Aluminum

Filters:

- 99.99% HEPA
- 99.9995% ULPA
- PTFE

Filter Seal

- Closed cell gasket
- Urethane Gel
- Silicone Gel

Controls:

- 3-Speed switch with separate on/off
- Power cord - 8' with plug end
- None (motor leads wired to j-box)
- Variable Speed Control

Motor:

	VOLTAGE	FLA
● PSC TYPE	120/1/60	4.7
	220/1/60	2.4
	277/1/60	1.8
ECM	120/1/60	4.2
	220/1/60	2.1
Low Watt	120/1/60	1.2
	220/1/60	0.6
High RPM	120/1/60	7.4
	220/1/60	3.7
VFD Rated	240-480/3/60	1.2/0.6

Inlet Options

30% eff ASHRAE prefilter

- 1" thick
- 2" thick
- 4" thick

Carbon filter

1" thick

Inlet collar adapter

- 10" diameter
- 12" diameter
- 14" diameter

Face Grille

- Polystyrene eggcrate
- Perforated steel, powder coated
- Perforated stainless steel

● Indicates standard

© 2010 Technical Air Products, Inc. Unauthorized use is prohibited without express written permission from owner.



TECHNICAL AIR PRODUCTS

Designers and Builders of High Efficiency Air Filtration Equipment

8069 Belmont Avenue

Belmont, MI 49306

616 - 863 - 9115

800 - 595 - 0020

Fax 616 - 863 - 9127