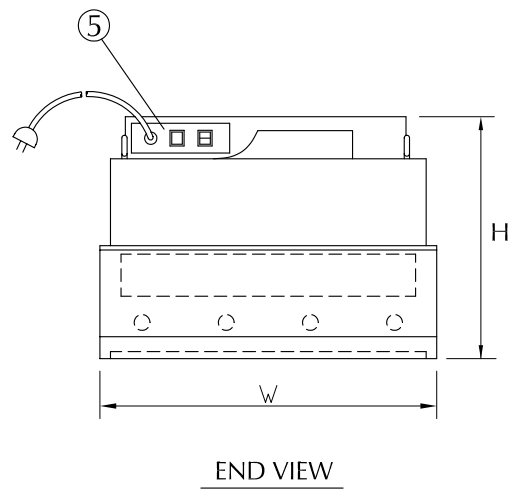
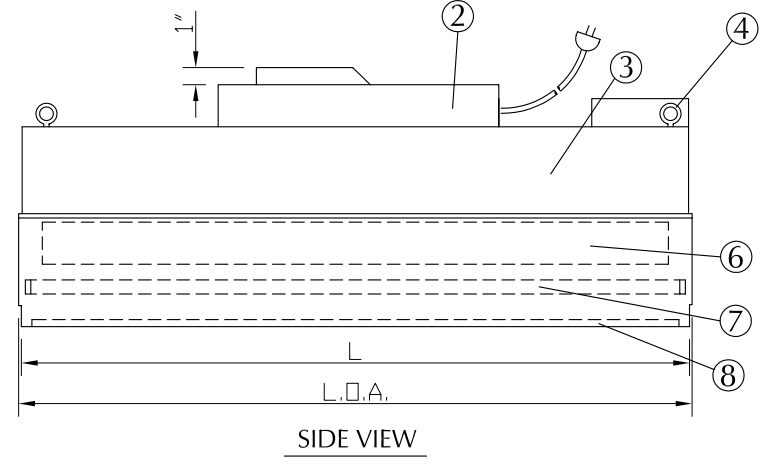


- ① Prefilter
- ② Prefilter frame
- ③ Supply Plenum
- ④ Eyebolts for hanging
- ⑤ Controls
- ⑥ Final Filter (roomside replaceable)
- ⑦ Lamp Tubes
- ⑧ Face Grille



MODEL	UNIT SIZE	DIM 'W'	DIM 'L'	DIM 'LOA'	DIM 'H' STD	DIM 'H' ECM	DIM 'H' VFD
223-SPX	2' x 2'	23.62"	23.62"	24.00"	17.5"	19.5"	20.5"
323-SPX	2' x 3'		35.62"	36.00"			
423-SPX	2' x 4'		47.62"	48.00"			

SPECIFICATIONS LIGHTED RSR SPX MODELS

<p>Housing:</p> <ul style="list-style-type: none"> ● Powder coated 20ga steel Stainless Steel, 304 or 316 Aluminum <hr/> <p>Filters:</p> <ul style="list-style-type: none"> ● 99.99% HEPA 99.9995% ULPA PTFE <hr/> <p>Filter Seal</p> <ul style="list-style-type: none"> ● Closed cell gasket Urethane Gel Silicone Gel <hr/> <p>Controls:</p> <ul style="list-style-type: none"> ● 3-Speed switch with separate on/off ● Power cord - 8' with plug end None (motor leads wired to j-box) Variable Speed Control 	<p>Motor:</p> <table border="0" style="width: 100%;"> <tr> <td style="width: 20%;"></td> <td style="text-align: center;">VOLTAGE</td> <td style="text-align: center;">FLA</td> </tr> <tr> <td>● PSC TYPE</td> <td>120/1/60</td> <td>4.7</td> </tr> <tr> <td></td> <td>220/1/60</td> <td>2.4</td> </tr> <tr> <td></td> <td>277/1/60</td> <td>1.8</td> </tr> <tr> <td>ECM</td> <td>120/1/60</td> <td>4.2</td> </tr> <tr> <td></td> <td>220/1/60</td> <td>2.1</td> </tr> <tr> <td>Low Watt</td> <td>120/1/60</td> <td>1.2</td> </tr> <tr> <td></td> <td>220/1/60</td> <td>0.6</td> </tr> <tr> <td>High RPM</td> <td>120/1/60</td> <td>7.4</td> </tr> <tr> <td></td> <td>220/1/60</td> <td>3.7</td> </tr> <tr> <td>VFD Rated</td> <td>240-480/3/60</td> <td>1.2/0.6</td> </tr> </table> <hr/> <p>Lamp Type</p> <ul style="list-style-type: none"> (3) T5 (4) T5 (3) T8 ● (4) T8 		VOLTAGE	FLA	● PSC TYPE	120/1/60	4.7		220/1/60	2.4		277/1/60	1.8	ECM	120/1/60	4.2		220/1/60	2.1	Low Watt	120/1/60	1.2		220/1/60	0.6	High RPM	120/1/60	7.4		220/1/60	3.7	VFD Rated	240-480/3/60	1.2/0.6	<p>Inlet Options</p> <p>30% eff ASHRAE prefilter</p> <ul style="list-style-type: none"> ● 1" thick 2" thick 4" thick <p>Carbon filter</p> <p>1" thick</p> <p>Inlet collar adapter</p> <p>10" diameter</p> <p>12" diameter</p> <p>14" diameter</p> <hr/> <p>Face Grille</p> <ul style="list-style-type: none"> ● Acrylic Eggcrate in extruded vinyl frame Aluminum eggcrate in extruded aluminum frame <hr/> <p>Ballast Voltage</p> <ul style="list-style-type: none"> ● Universal (120-277VAC)
	VOLTAGE	FLA																																	
● PSC TYPE	120/1/60	4.7																																	
	220/1/60	2.4																																	
	277/1/60	1.8																																	
ECM	120/1/60	4.2																																	
	220/1/60	2.1																																	
Low Watt	120/1/60	1.2																																	
	220/1/60	0.6																																	
High RPM	120/1/60	7.4																																	
	220/1/60	3.7																																	
VFD Rated	240-480/3/60	1.2/0.6																																	

● Indicates standard

© 2010 Technical Air Products, Inc. Unauthorized use is prohibited without express written permission from owner.



TECHNICAL AIR PRODUCTS
 Designers and Builders of High Efficiency Air Filtration Equipment

8069 Belmont Avenue
 Belmont, MI 49306
 616 - 863 - 9115
 800 - 595 - 0020
 Fax 616 - 863 - 9127