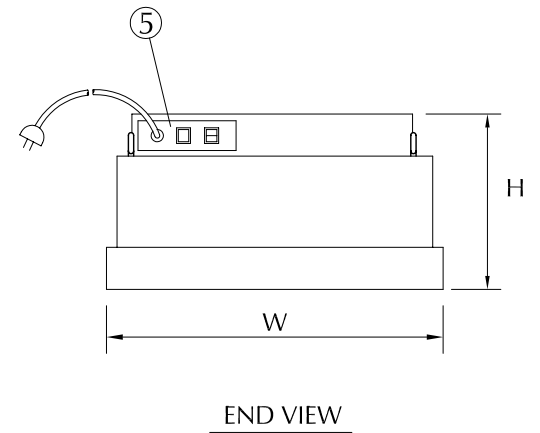
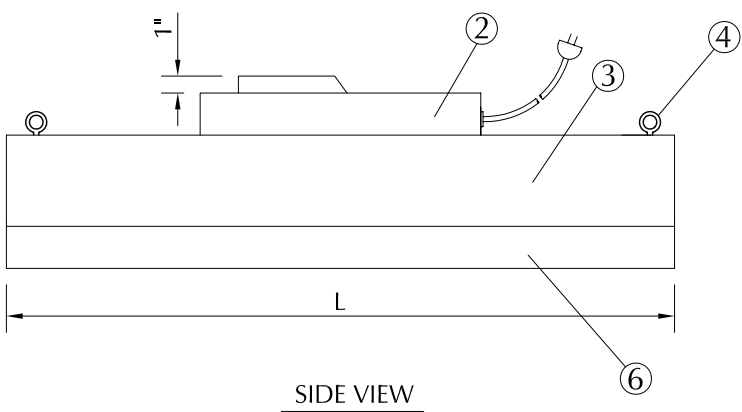


- ① Prefilter
- ② Prefilter frame
- ③ Supply Plenum
- ④ Eyebolts for hanging
- ⑤ Controls
- ⑥ Final Filter



MODEL	UNIT SIZE	DIM 'W'	DIM 'L'	DIM 'H' STD	DIM 'H' ECM	DIM 'H' VFD
221-SPX	2' x 2'	23.62"	23.62"	12.5"	14.5"	15.5"
321-SPX	2' x 3'		35.62"			
421-SPX	2' x 4'		47.62"			

SPECIFICATIONS FOR SPX MODELS

Housing construction:

- Powder coated 20ga steel
- Stainless Steel, 304 or 316
- Aluminum

Filters:

- 99.99% HEPA
- 99.9995% ULPA
- PTFE

Controls:

- 3-Speed switch with separate on/off
- Power cord - 8' with plug end
- None (motor leads wired to j-box)
- Variable Speed Control

Motor:	VOLTAGE	FLA
● PSC TYPE	120/1/60	4.7
	220/1/60	2.2
	277/1/60	1.9
ECM	120/1/60	5.0
	220/1/60	2.8
Low Watt	120/1/60	2.1
	220/1/60	1.0
High RPM	120/1/60	7.6
	220/1/60	2.8
VFD Rated	240-480/3/60	1.2/0.6

Inlet Options

30% eff ASHRAE prefilter

- 1" thick
- 2" thick
- 4" thick

Carbon filter

1" thick

Inlet collar adapter

10" diameter

12" diameter

14" diameter

● Indicates standard

© 2010 Technical Air Products, Inc. Unauthorized use is prohibited without express written permission from owner.



8069 Belmont Avenue
 Belmont, MI 49306
 616 - 863 - 9115
 800 - 595 - 0020
 Fax 616 - 863 - 9127